

# STORBOX 400

Parker Masters

Est. 2009 Digital Print Specialists  
BRINGING BRANDS TO LIFE

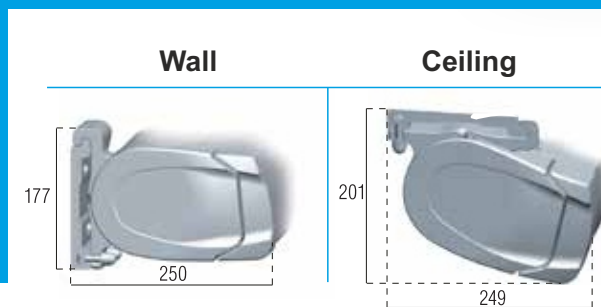
## WHITE & ANTHRACITE

### STORBOX 400 BENEFITS:

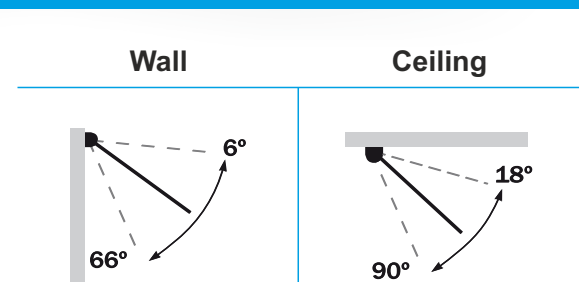
- Large dimensions: 6m (width) x 4m (projection).
- Flexible design with 100% metallic finish.
- Capacity for lighting built in to the front profile and arms.
- Slope adjustment with the awning closed.
- Motorised or Manual
- Full cassette system
- Heavy duty castings
- New sleek design 2021
- Made in the UK



### DIMENSIONS (mm)

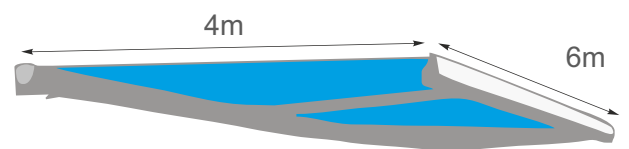


### DEGREE OF INCLINATION

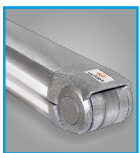


### MAXIMUM DIMENSIONS (m)

| 2 Arms     |       |
|------------|-------|
| Projection | Width |
| 4m         | 6m    |



### ARM OPTIONS



#### ONYX

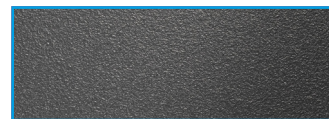
The concealment of the mechanical parts in the joint ensure a superb appearance.



#### ONYX LUX

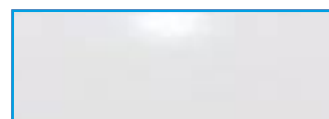
With integrated LED lighting on the folding arms and across the front rail. Onyx Lux lights have a dimmer adjustment via remote control.

### FINISHES



- Manual
- Motorised
- Automated

### TEXTURED ANTHRACITE RAL 7016



### WHITE RAL 9016

