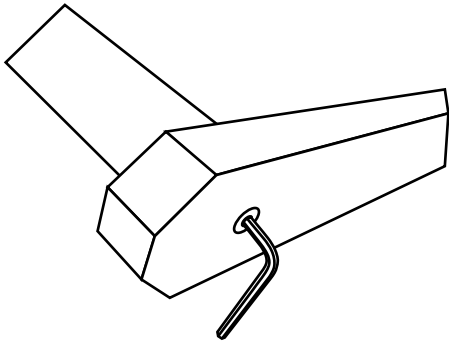


# Parker Masters

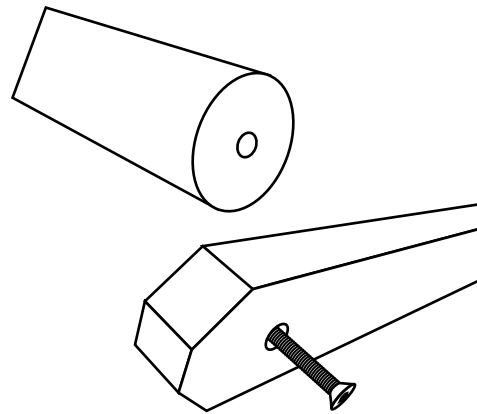
Est. 2009 Digital Print Specialists

BRINGING BRANDS TO LIFE

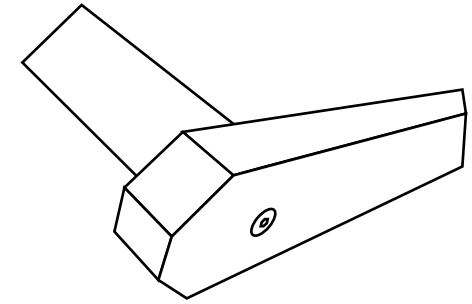
## Sling Attachment/Replacement Modern Frames



1. Undo one **L** bolt on both poles on the right side of the chair using a 6mm hex key.



2. Pull the pole away from the frame and gently lift it so there is enough room to slide your sling on. Do this for both poles. Slide the sling halfway onto one pole and repeat for the second, then slide the sling fully onto both poles.



3. Place one pole back in its recess. Ensure that the thread of the **L** bolt catches on the nut plate before fully tightening. Repeat this for the second pole.