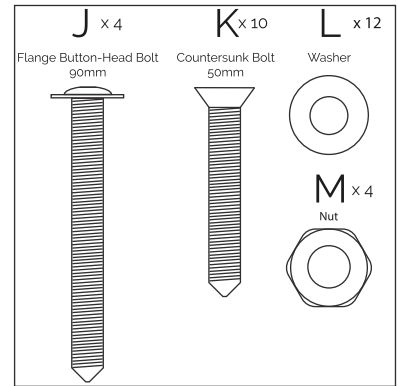
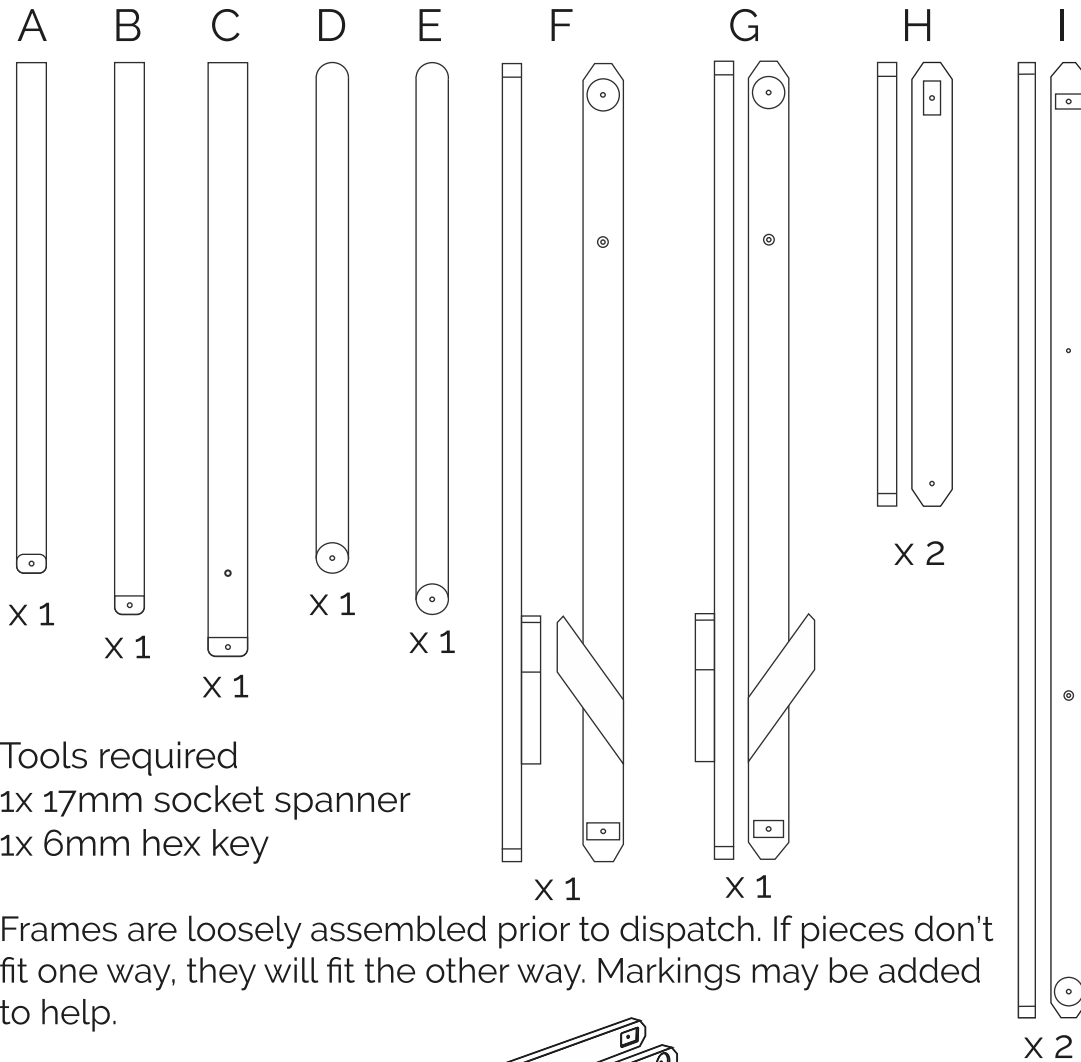


# giant deckchair assembly instructions

Parker Masters

Est. 2009 Digital Print Specialists

BRINGING BRANDS TO LIFE

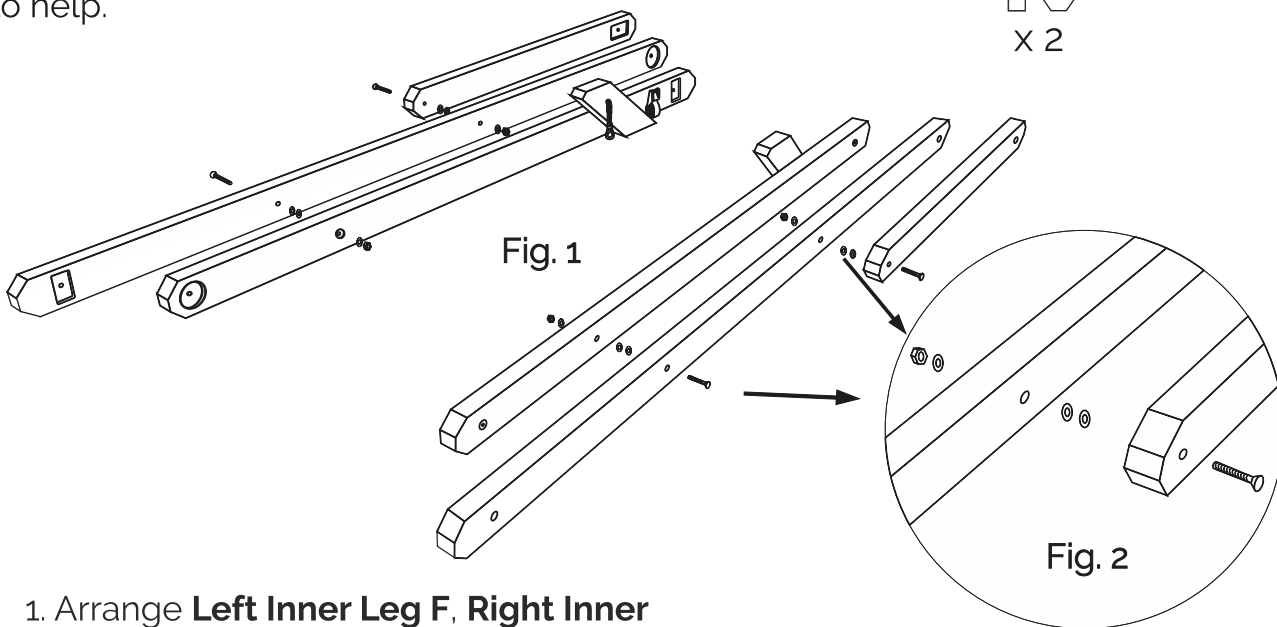


- A= Inner Back Brace
- B= Outer Front Brace
- C= Prop Brace
- D= Bottom Pole
- E= Top Pole
- F= Left Inner Leg
- G= Right Inner Leg
- H= Prop
- I= Outer Leg

## Tools required

- 1x 17mm socket spanner
- 1x 6mm hex key

Frames are loosely assembled prior to dispatch. If pieces don't fit one way, they will fit the other way. Markings may be added to help.



1. Arrange **Left Inner Leg F**, **Right Inner Leg G**, both **Outer Legs I** and both **Props H** as shown in Fig. 1.

2. Insert **J Bolt** through **Prop H**. Slide two **L washers** onto the end of **J Bolt** and then insert end of **J bolt** into **Outer Leg I**. Slide one **L Washer** onto the end of **J Bolt**, hold bolt in place with a 6mm hex key and secure with an **M nut** using a 17mm socket (**Fig. 2**)

3. Repeat step 2 to attach the **Outer Leg I** and **Prop H** just secured to **Inner Leg F**.

4. Repeat Step 2 to attach the second **Prop H** to the remaining **Outer Leg I**.

5. Repeat Step 2 to attach **Outer Leg I** to **Right Inner Leg G**.

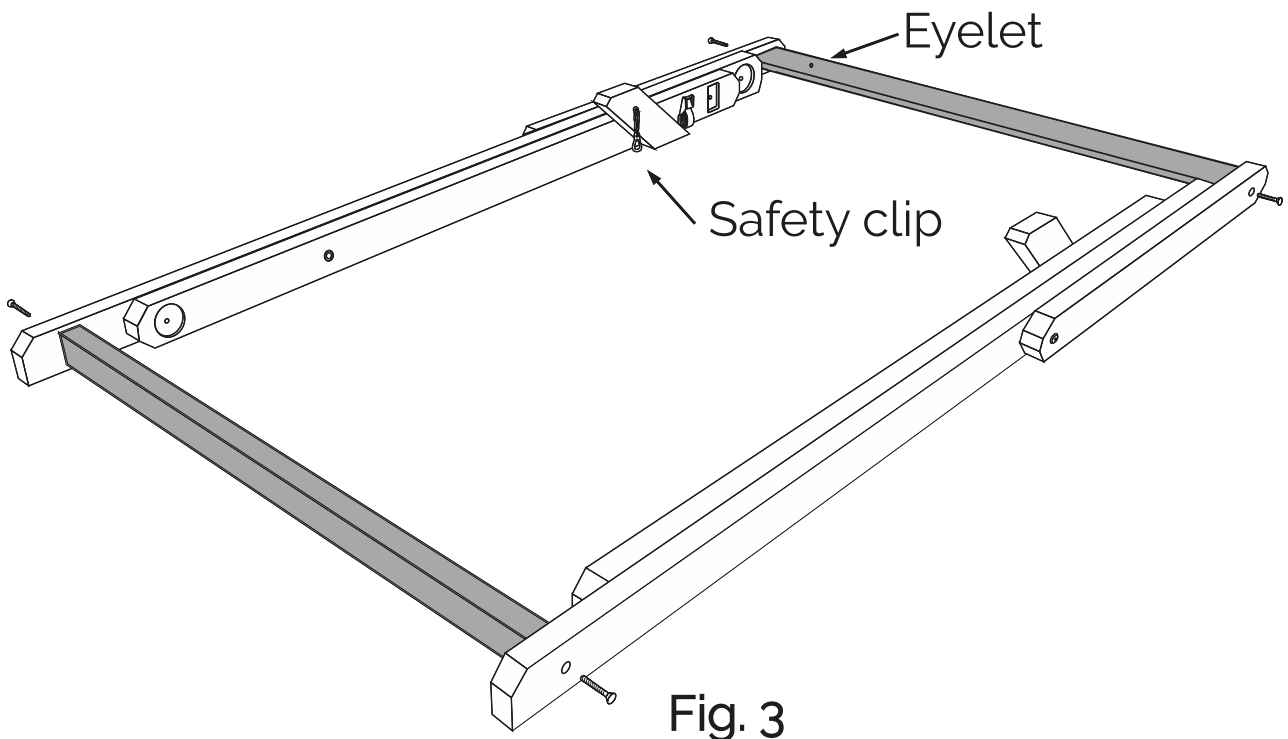


Fig. 3

6. Position **Prop Brace C** so the eyelet is facing upwards and on the same side as the safety clip, see **Fig. 3**. Fit both ends of **Prop Brace C** into the corresponding recesses of the **Props H**. Insert one **K Bolt** through each **Prop H** and tighten.

7. Fit both ends of **Outer Front Brace B** into the corresponding recesses of **Outer Legs I**. Insert one **K Bolt** through each outer leg and tighten.

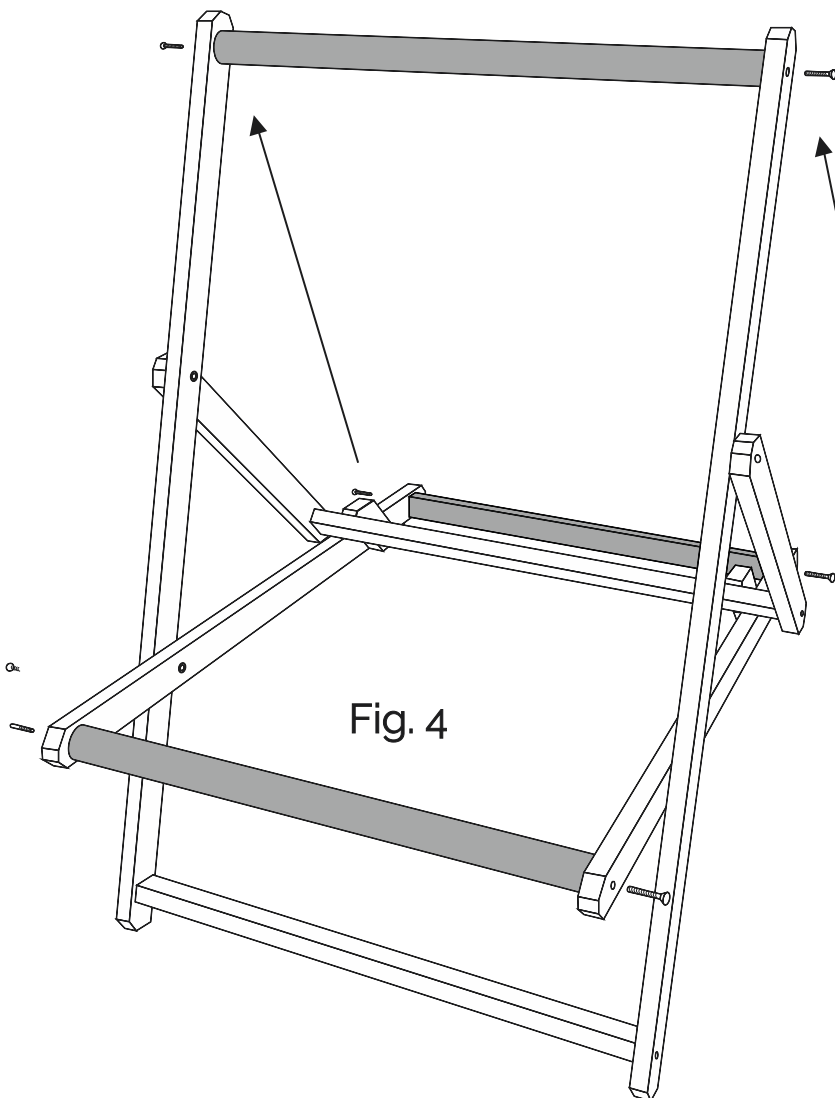


Fig. 4

8. Ask another person for help to unfold the chair. Standing on the outside of the frame lift **the ends of Outer Legs I** upwards. Guide **Prop Brace C** over and in front of the stays attached to **F** and **G**.

9. Fit both ends of **Inner Back Brace A** into the corresponding recesses of **Left Inner Leg F** and **Right Inner Leg G**. Insert one **K Bolt** through each inner leg and tighten.

10. Fit both ends of **Top Pole E** into the corresponding recesses of the **Outer Legs I**. Insert one **K Bolt** through each outer leg and tighten.

11. Fit both ends of **Bottom Pole D** into the corresponding recesses of **Left Inner Leg F** and **Right Inner Leg G**. Insert one **K Bolt** through each outer leg and tighten.